

| 标记 MARK. | 更改内容 MODIFICATION | 日期 DATE | 修改 DRAW | 核准 APPROVE |
|-------------|----------------------|------------|------------|---------------|
| | | | | |

技术要求 Specification:

- 1、材质 Material: PA66 UL94V-0;
- 2、额定电流 Current rating: 3.0A AC, DC
- 3、额定电压 Voltage rating: 250V AC, DC
- 4、温度范围 Temperature range: -25℃ to +85℃
- 5、接触电阻 Contact resistance: ≤ 20mΩ
- 6、绝缘电阻 Insulation resistance: ≥ 1000MΩ
- 7、耐压 Withstand voltage: 1000V AC/minute
- 8、塑件表面平整光洁, 无明显的毛刺、气泡、变形、浇口拉伤、缺料等不良现象。

Plastic surface smooth and clean, no obvious glitches, bubbles, distortion, gate strain, lack of material and other undesirable phenomena.

9、适用端子型号: SH25001-T-70/SH25001-T-82/SH25001-T-82-A;

Applicable Contact : SH25001-T-70/SH25001-T-82/SH25001-T-82-A;

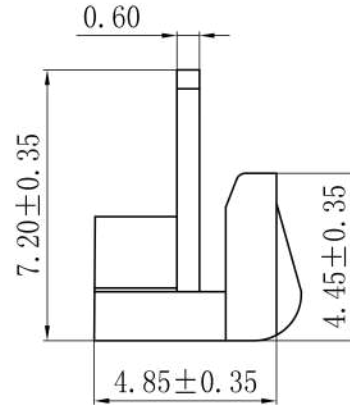
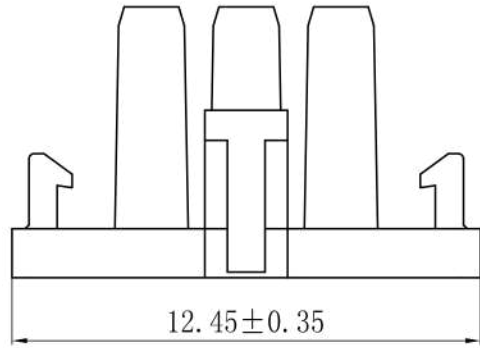
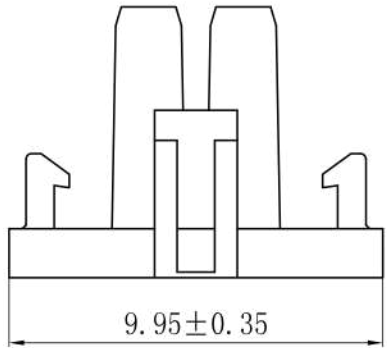
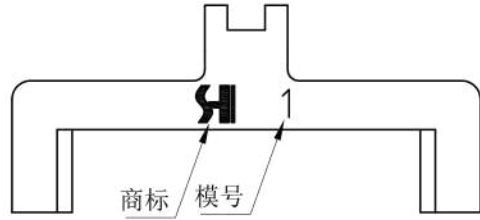
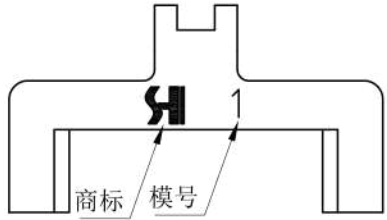
10、适配塑件型号: SH25027-NR;

Suitable Housing Type: SH25027-NR;

| 线数 poles | 型号 Type | 尺寸 Dimensions mm | | | 备注 |
|-------------|---------------|------------------|-------|-------|---------------|
| | | A | B | C | |
| 2 | SH25027-2Y | 2.50 | 5.80 | 2.25 | 有保持器配合XH2B-2S |
| 2 | SH25027-2Y-A | 2.50 | 5.80 | 3.00 | 有保持器配合XH2B-2S |
| 3 | SH25027-3Y | 5.00 | 8.30 | 2.25 | 有保持器配合XH2B-3S |
| 4 | SH25027-4Y | 7.50 | 10.80 | 2.25 | 无 |
| 4 | SH25027-4Y-A | 7.50 | 10.80 | 2.25 | 无 |
| 5 | SH25027-5Y | 10.00 | 13.30 | 4.95 | 无 |
| 6 | SH25027-6Y | 12.50 | 15.80 | 7.00 | 无 |
| 7 | SH25027-7Y | 15.00 | 18.30 | 9.50 | 无 |
| 8 | SH25027-8Y | 17.50 | 20.80 | 9.50 | 无 |
| 9 | SH25027-9Y | 20.00 | 23.30 | 9.50 | 无 |
| 10 | SH25027-10Y | 22.50 | 25.80 | 9.50 | 无 |
| 10 | SH25027-10Y-A | 22.50 | 25.80 | 12.20 | 无 |
| 11 | SH25027-11Y | 25.00 | 28.30 | 9.50 | 无 |
| 12 | SH25027-12Y | 27.50 | 30.80 | 9.50 | 无 |
| 13 | SH25027-13Y | 30.00 | 33.30 | 12.60 | 无 |
| 14 | SH25027-14Y | 32.50 | 35.80 | 12.60 | 无 |
| 14 | SH25027-14Y-A | 32.50 | 35.80 | 12.20 | 无 |
| 15 | SH25027-15Y | 35.00 | 38.30 | 12.60 | 无 |
| 16 | SH25027-16Y | 37.50 | 40.80 | ---- | 无 |
| 17 | SH25027-17Y | 40.00 | 43.30 | ---- | 无 |

| | | | | | | | |
|--------------------------------------|-------|----------------------------------|------------|--|------------------|------------|----|
| TOLERANCE UNLESS OTHERWISE SPECIFIED | | *: Inspection Item | | www.canner.co.in | | | |
| .X±0.30 | X°±1° | NO : Cp/Cpk and SPC Control Item | | | | | |
| .XX±0.20 | .X°± | 材料 MATERIAL | PA66 | 名称 TITLE | XHBA1-NY HOUSING | | |
| .XXX±0.10 | .XX°± | 料厚 THICK | / | 编号 DWG NO. | SH25027-NY | 单位 UNIT | mm |
| 制图 DRAWIN | 赵旭强 | 料宽 WIDE | | 比例 SCALE | 1:1 | 版本 REV. | A |
| 审核 CHECKED | 林云昆 | 日期 DATE | 2023.10.11 | 角法 PROJ. | | | |
| 批准 APPROVE | 谭猛 | 规格书 | | | | | |

| 标记 MARK. | 更改内容 MODIFICATION | 日期 DATE | 修改 DRAW | 核准 APPROVE |
|-------------|----------------------|------------|------------|---------------|
| | | | | |
| | | | | |

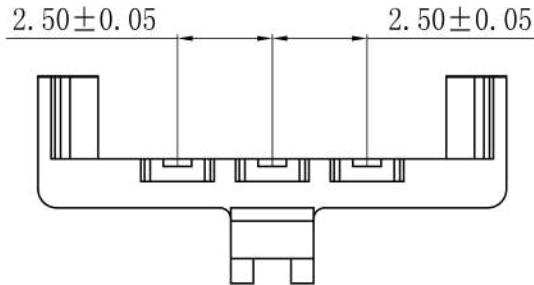
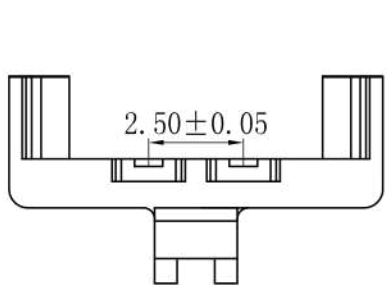


技术要求Specification:

- 1、材质Material: PA66 UL94V-0;
- 2、额定电流 Current rating:3.0A AC,DC
- 3、额定电压 Voltage rating: 250V AC,DC
- 4、温度范围 Temperature range:-25℃to+85℃
- 5、接触电阻 Contact resistance:≤20mΩ
- 6、绝缘电阻 Insulation resistance:≥1000MΩ
- 7、耐压 Withstand voltage:1000V AC/minute
- 8、塑件表面平整光洁, 无明显的毛刺、气泡、变形、浇口拉伤、缺料等不良现象。

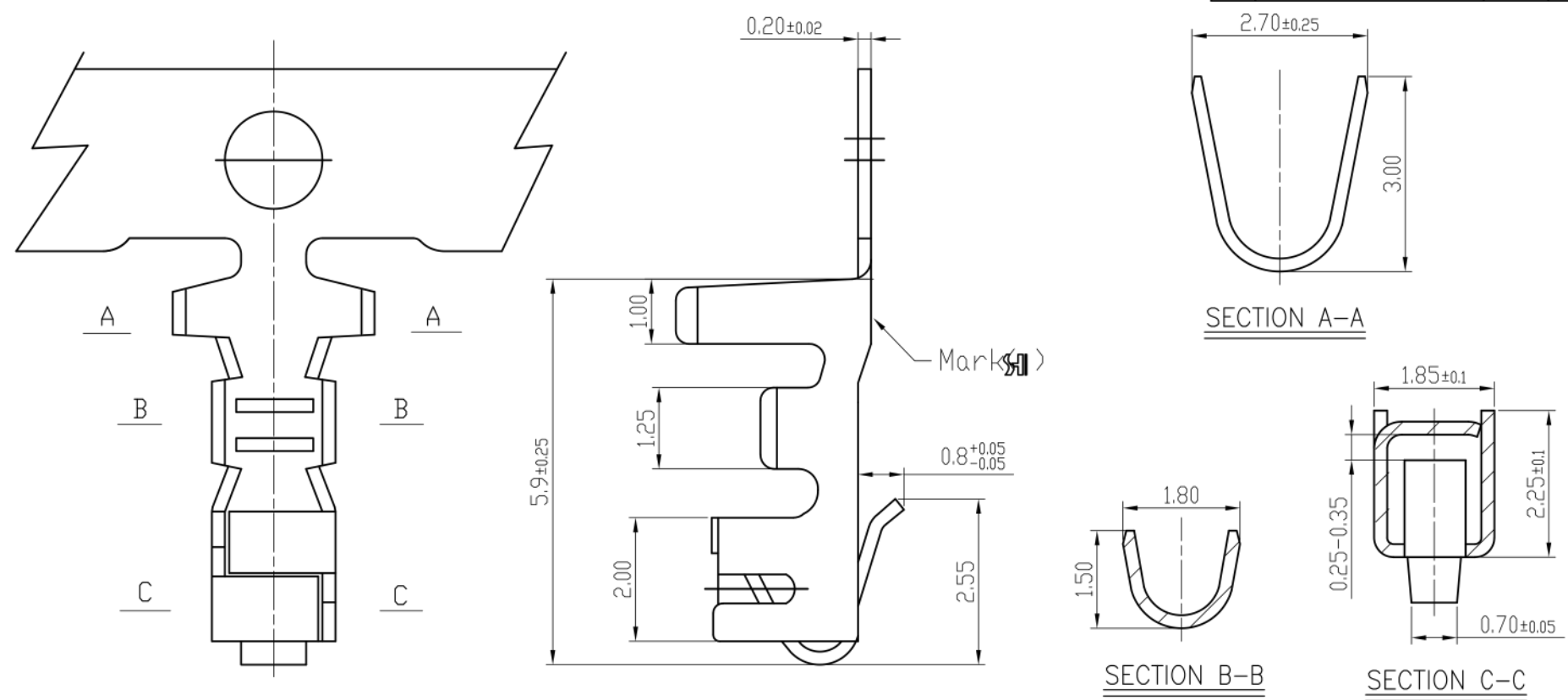
Plastic surface smooth and clean, no obvious glitches, bubbles, distortion, gate strain, lack of material and other undesirable phenomena.

- 9、适配塑件型号: SH25027-2Y/3Y;
Suitable Housing Type: SH25027-2Y/3Y;



| TOLERANCE UNLESS OTHERWISE SPECIFIED | | *: Inspection Item | | Canner www.canner.co.in | | | | |
|--------------------------------------|--------|--------------------|------------------------------|-------------------------|-------|----|-------------------|-----|
| .X±0.30 | X.°±1° | NO | :Cp/Cpk and SPC Control Item | 材料 | PA66 | 名称 | XHB-2S 3S HOUSING | |
| .XX±0.20 | .X°± | | | 料厚 | THICK | 编号 | SH25027-2S 3S | 单位 |
| .XXX±0.10 | .XX°± | 料宽 | WIDE | 比例 | 1:1 | 版本 | A | 规格书 |
| 制图 | 赵旭强 | 日期 | 2023.05.16 | 角法 | PROJ. | | | |
| 审核 | 林云昆 | | | | | | | |
| 批准 | 谭猛 | | | | | | | |

| 标记 MARK | 更改内容 MODIFICATION | 日期 DATE | 修改 DRAW | 核准 APPROVE |
|------------|----------------------|------------|------------|---------------|
| | | | | |
| | | | | |
| | | | | |



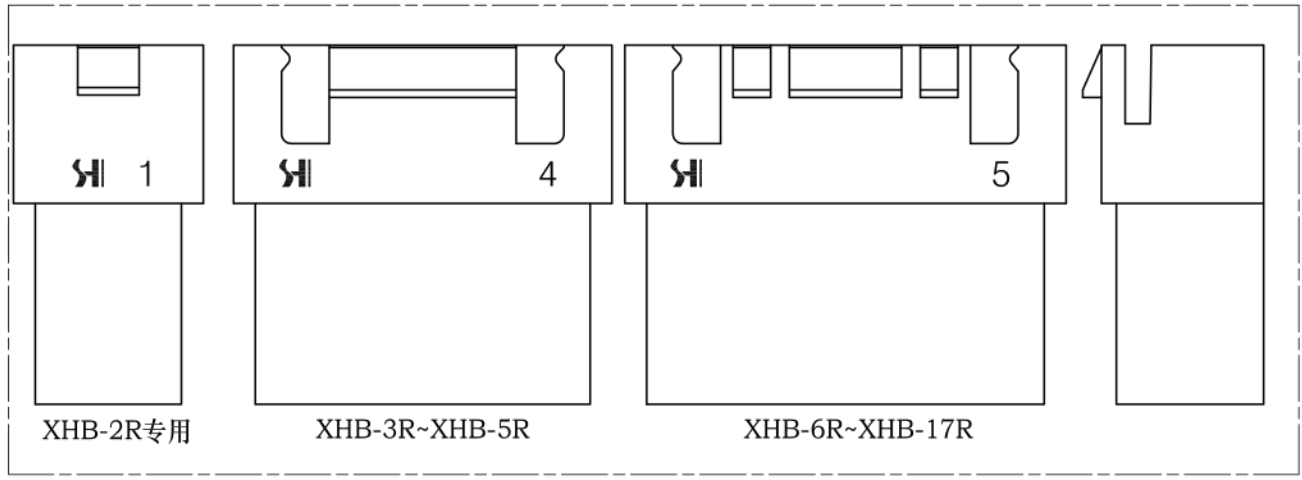
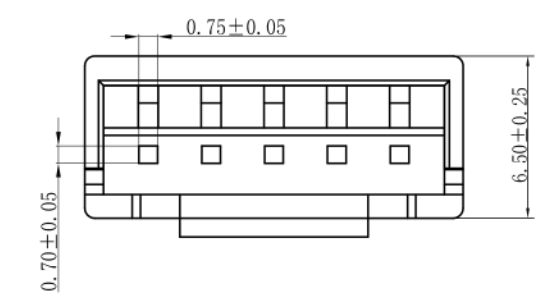
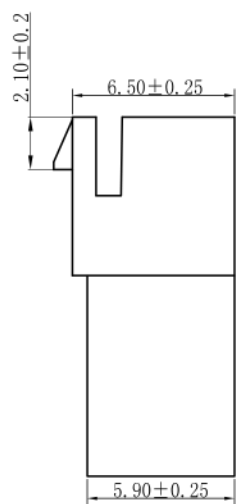
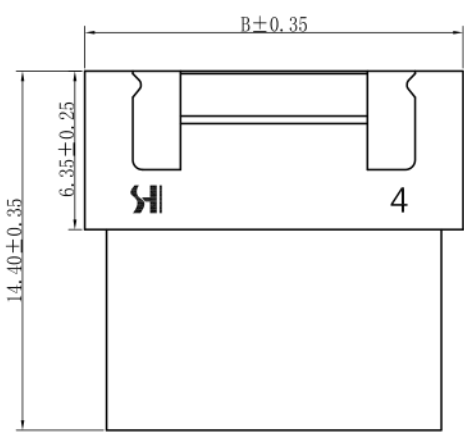
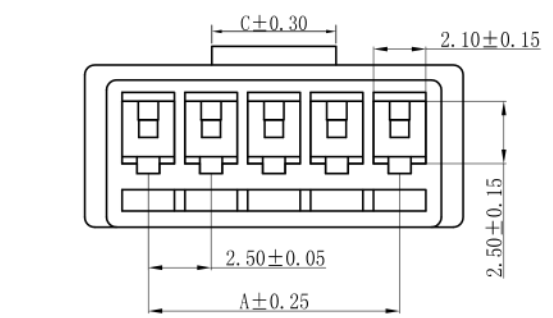
技术要求Specification:

- 1、材质：磷青铜，表面镀锡 Material:Phos.Bronze Tin-Plated;
- 2、适用线规：AWG#30to#22
Applicable wire:AWG#30to#22
- 3、零件外观不得有有害毛刺、尖角、锐边和机械损伤;表面镀层应均匀、光亮、无雾斑、剥层等缺陷;
Parts may not have the appearance of harmful burrs,sharp corners,sharp edges and mechanical damage,surface coating should be uniform, bright,no fog spots,delamination and other defects.
- 4、适配塑件型号：SH25001-NY;SH25010-NY;SH25026-NY;SH25027-NY;
Suitable Housing Type: SH25001-NY;SH25010-NY;SH25026-NY;SH25027-NY;

| TOLERANCE UNLESS OTHERWISE SPECIFIED | | *: Inspection Item | | Canner® www.canner.co.in | | | |
|--------------------------------------|---------|--------------------|------------------------------|--------------------------|-------------------|----|--------------|
| .X±0.30 | X.° ±1° | (NO.) | :Cp/Cpk and SPC Control Item | 名称 | XH-T/8.2 TERMINAL | | |
| .XX±0.20 | .X° ± | | | 料厚 | 0.20 mm | 编号 | SH25001-T-82 |
| .XXX±0.10 | .XX° ± | | | 料宽 | | 比例 | 1:1 |
| 制图 | 赵旭强 | 日期 | 2022.07.23 | 角法 | PROJ. | | |
| 审核 | 江树钦 | 日期 | 2022.07.23 | 角法 | PROJ. | | |
| 批准 | 谭猛 | 日期 | 2022.07.23 | 角法 | PROJ. | | |

规格书

| 标记 MARK. | 更改内容 MODIFICATION | 日期 DATE | 修改 DRAW | 核准 APPROVE |
|-------------|----------------------|------------|------------|---------------|
| | | | | |
| | | | | |



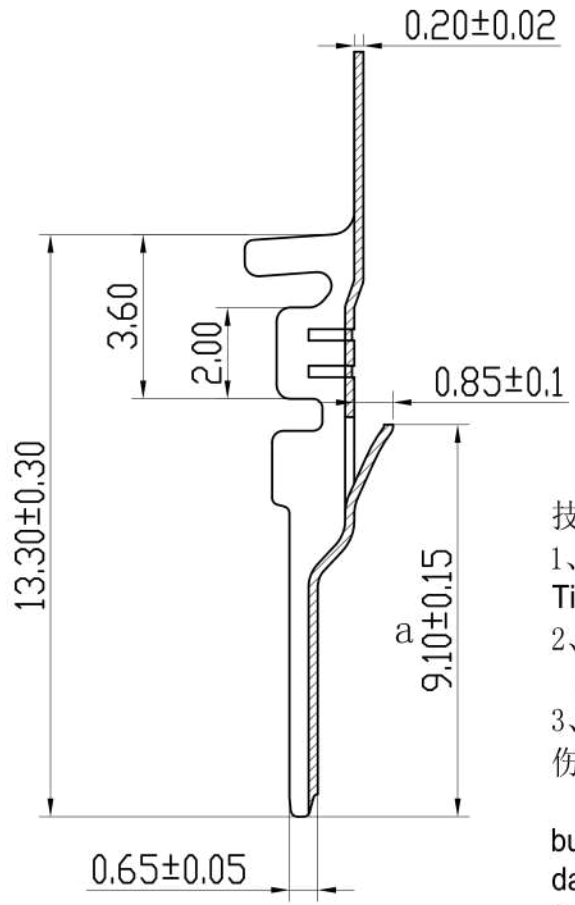
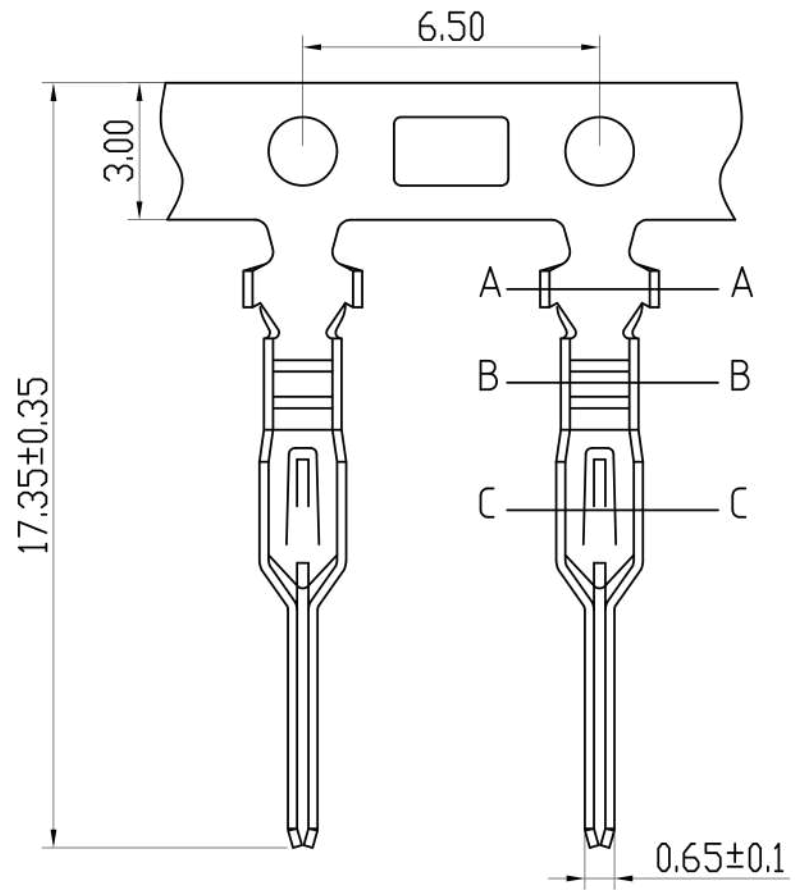
| 线数 poles | 型号 Type | 尺寸Dimensions mm | | |
|-------------|-------------|-----------------|-------|-------|
| | | A | B | C |
| 2 | SH25027-2R | 2.50 | 7.65 | 2.45 |
| 3 | SH25027-3R | 5.00 | 10.15 | 2.45 |
| 4 | SH25027-4R | 7.50 | 12.65 | 5.00 |
| 5 | SH25027-5R | 10.00 | 15.15 | 7.50 |
| 6 | SH25027-6R | 12.50 | 17.65 | 9.00 |
| 7 | SH25027-7R | 15.00 | 20.15 | 11.55 |
| 8 | SH25027-8R | 17.50 | 22.65 | 14.05 |
| 9 | SH25027-9R | 20.00 | 25.15 | 16.60 |
| 10 | SH25027-10R | 22.50 | 27.65 | 19.10 |
| 11 | SH25027-11R | 25.00 | 30.15 | 21.60 |
| 12 | SH25027-12R | 27.50 | 32.65 | 24.15 |
| 13 | SH25027-13R | 30.00 | 35.15 | --- |
| 14 | SH25027-14R | 32.50 | 37.65 | --- |
| 15 | SH25027-15R | 35.00 | 40.15 | --- |
| 16 | SH25027-16R | 37.50 | 42.65 | --- |
| 17 | SH25027-17R | 40.00 | 45.15 | --- |

技术要求Specification:

- 1、材质Material: PA66 UL94V-0;
- 2、额定电流 Current rating:3.0A AC,DC
- 3、额定电压 Voltage rating: 250V AC,DC
- 4、温度范围 Temperature range:-25℃to+85℃
- 5、接触电阻 Contact resistance:≤20mΩ
- 6、绝缘电阻 Insulation resistance:≥1000MΩ
- 7、耐压 Withstand voltage:1000V AC/minute
- 8、塑件表面平整光洁,无明显的毛刺、气泡、变形、浇口拉伤、缺料等不良现象。
Plastic surface smooth and clean, no obvious glitches, bubbles, distortion, gate strain, lack of material and other undesirable phenomena.
- 9、适用端子型号: SH2527-RT;
Applicable Contact :SH25027-RT;
- 10、适配塑件型号: SH25027-NY,SH25026-3Y~16Y,SH25001-3Y~16Y;
Suitable Housing Type: SH25027-NY,SH25026-3Y~16Y,SH25001-3Y~16Y;

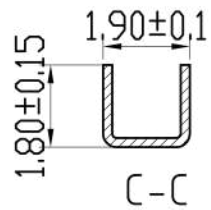
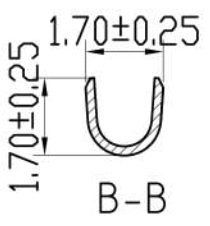
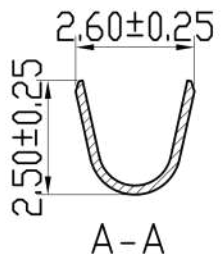
| | | | | | | | | |
|--------------------------------------|--------|--------------------|------------------------------|--------------------------|-------|-----|----------------|----|
| TOLERANCE UNLESS OTHERWISE SPECIFIED | | *: Inspection Item | | Canner® www.canner.co.in | | | | |
| .X±0.30 | X.°±1° | NO | :Cp/Cpk and SPC Control Item | 材料 | PA66 | 名称 | XHB-NR HOUSING | |
| .XX±0.20 | .X°± | | | 料厚 | THICK | 编号 | SH25027-NR | 单位 |
| .XXX±0.10 | .XX°± | 料宽 | WIDE | 比例 | 1:1 | 版本 | A | |
| 制图 DRAWIN | 赵旭强 | 日期 | 2023.05.16 | 角法 | PROJ. | 规格书 | | |
| 审核 CHECKED | 林云昆 | | | | | | | |
| 批准 APPROVE | 谭猛 | | | | | | | |

| 标记 MARK. | 更改内容 MODIFICATION | 日期 DATE | 修改 DRAW | 核准 APPROVE |
|-------------|----------------------|------------|------------|---------------|
| a | 8.50±0.15改为9.10±0.15 | 2023.05.16 | 赵旭强 | 谭猛 |
| | | | | |



技术要求Specification:

- 1、材质：磷青铜，表面镀锡 Material:Phos.Bronze Tin-Plated;
- 2、适用线规：AWG#30to#22
Applicable wire:AWG#30to#22
- 3、零件外观不得有有害毛刺、尖角、锐边和机械损伤;表面镀层应均匀、光亮、无雾斑、剥层等缺陷;
Parts may not have the appearance of harmful burrs,sharp corners,sharp edges and mechanical damage,surface coating should be uniform, bright,no fog spots,delamination and other defects.
- 4、适配塑件型号：SH25027-NR;
Suitable Housing Type: SH25027-NR;



| TOLERANCE UNLESS OTHERWISE SPECIFIED | | *: Inspection Item | | Canner® www.canner.co.in | | |
|--------------------------------------|--------|--------------------|------------------------------|--------------------------|-----------------|------------|
| .X±0.30 | X.°±1° | NO | :Cp/Cpk and SPC Control Item | | 名称 TITLE | |
| .XX±0.20 | .X°± | | 材料 MATERIAL | 磷青铜 | XHB-RT TERMINAL | |
| .XXX±0.10 | .XX°± | 料厚 THICK | 0.20mm | 编号 DWG NO. | SH25027-RT | 单位 UNIT |
| 制图 DRAWIN | 赵旭强 | 料宽 WIDE | / | 比例 SCALE | 1:1 | 版本 REV. |
| 审核 CHECKED | 林云昆 | 日期 DATE | | 2023.05.16 | 角法 PROJ. | |
| 批准 APPROVE | 谭猛 | | | | | |